



Gas



Liquid & Slurry



Solid & Powder



Steam & Water

SENTRY ISOLOK M4KSA SAMPLER

Point Samplers



AUTOMATIC SAMPLING

The Sentry® ISOLOK® M4KSA automatic point sampler is designed for sampling sanitary products such as Grade A or industrial grade raw or processed milk, whey, and other food or pharmaceutical products.

The ISOLOK M4KSA features ferrule-clamp mounting suitable to any line size, a quick disconnect to expose all wetted parts for cleaning, and a built-in mount for 24 mm-thread sample bottles.

MODELS

ISOLOK M4KSA

BENEFITS

This sampler is conformant to 3-A Sanitary Standards (third-party verified) with a reliable, sanitary, easy-to-clean design with FDA-approved seals.

The ISOLOK M4KSA features all 300-series stainless steel construction, precision sample delivery with only one moving part, and excellent cleanability.

For dairy applications, the sampler and sampler controller are suitable for receiving dock or in-plant installations on pressure or suction lines where it withdraws accurate composite samples for butterfat or other analysis.

Users of the ISOLOK M4KSA sampler report major savings in required agitation time as well as the elimination of manual sampling from receiving tanks.

FEATURES

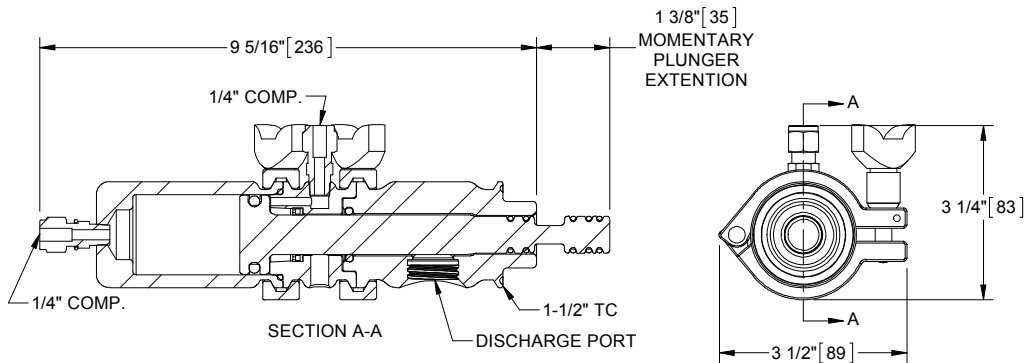
- Conformant to 3-A Sanitary Standards through third-party verification
- Small body bore diameter reduces wetted area inside the sampler and improves cleanability
- Front rod seal is a sanitary O-ring design – easy to clean and replace when necessary
- Outside contour of the body, head, and barrel are rounded for easy cleaning
- ATEX-compliant models available



Conforms to 3-A Sanitary Standards through Third-Party Verification (TPV)



Sample. Monitor. Measure.
SENTRY
Any Application. Anywhere.



SPECIFICATIONS

sample volume per cycle	3 cc
maximum cycle frequency	12 strokes per minute, depending on application
line mounting options	tri-clamp
materials	316 stainless steel/Buna-N; other seal materials available
sample temperature range	-40° to 500°F (-40° to 260°C), depending on seal material and duty cycle
ambient operating temperature range	-5° to 131°F (-20° to 55°C), depending on seal material
compressed air requirement	2 SCFM at 90 psi (.05 m ³ /min at 6.2 bar)
dimensions	8.25 in x 3 in (21 cm x 8 cm)
shipping weight	6.7 lb (3 kg)

sentry-equip.com

966 Blue Ribbon Circle North, Oconomowoc, WI 53066 U.S.A. | +1-262-567-7256 | sales@sentry-equip.com

© 2016 Sentry Equipment Corp. All rights reserved. All product and company names are property of their respective owners. It is solely the responsibility of end users, through their own testing and analysis, to select products and materials suitable for their specific application requirements, ensure they are properly installed, safely applied and properly maintained, and to limit their use to their intended purpose. Improper selection, installation or use may result in personal injury or property damage.

S-LS-SPS-00194-8 5-16



COMPANY WITH
QUALITY SYSTEM
CERTIFIED BY DNV GL
= ISO 9001 =