



Gas



Liquid & Slurry



Solid & Powder



Steam & Water

SENTRY ISOLOK MSE SAMPLER

Point Samplers

AUTOMATIC SAMPLING

The Sentry® ISOLOK® MSE automatic point sampler is designed for sampling high-viscosity products such as toothpaste, peanut butter, tomato paste, juice concentrates – even rocket propellant – at pressures from 0-150 psig.

The ISOLOK MSE sampler delivers a fixed volume of sample with each cycle.

MODELS

ISOLOK MSE

BENEFITS

The ISOLOK MSE sampler delivers a fixed volume of sample with each cycle. The sampler mounts onto the process line using a two-inch tri-clamp ferrule mount held with a clamp and gasket. All product-contact seals are FDA-recognized elastomer compounds selected to meet application conditions.

The ISOLOK MSE sampler's dual air cylinders extend the plunger into the process, and the annulus opens and draws in product. The plunger retracts, holding the sample in the annulus. Once fully retracted, the annulus collapses, ejecting the sample into the container.

The operator is isolated from the process at all times by the sampler's seal design, and the sample captured in the container is locked out from external influences to provide a truly representative sample.

FEATURES

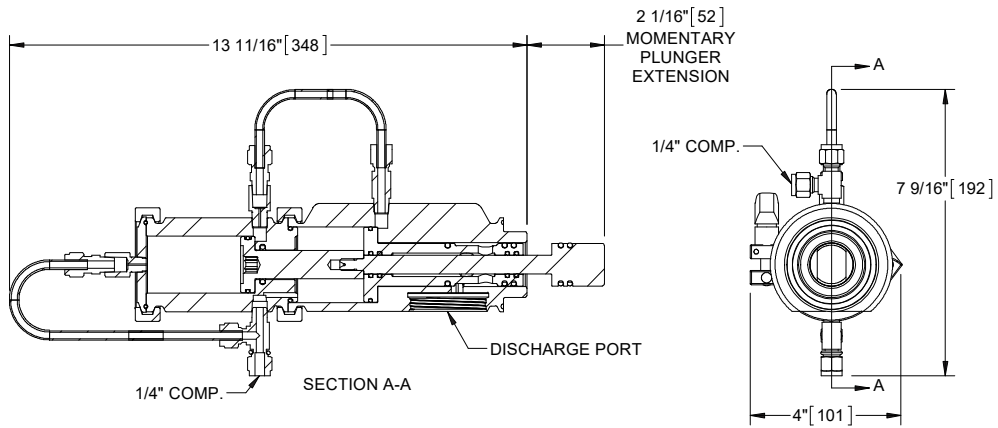
- Samples high-viscosity materials using a contracting annulus that ejects each collected sample into the attached container
- Collects sample volume of 10 cc per cycle in process pressures from atmospheric to 150 psig (10.3 barg)
- Unique co-axial pneumatic cylinders
- Ideal for liquids or slurries up to 150,000 centipoise
- Options include port closures, line adapters, different container types, sampler enclosures (with or without heater), sample heating or refrigeration, optional materials of construction and seal choices



Sample. Monitor. Measure.

SENTRY

Any Application. Anywhere.



SPECIFICATIONS

sample volume per cycle	10 cc
maximum cycle frequency	6 strokes per minute, depending on application
line mounting options	tri-clamp
materials	316 stainless steel/Buna-N; other seal materials available
sample temperature range	-40° to 500°F (-40° to 260°C), depending on seal material and duty cycle
ambient operating temperature range	-5° to 131°F (-20° to 55°C), depending on seal material
compressed air requirement	2 SCFM at 90 psi (.05 m ³ /min at 6.2 bar)
dimensions	10.3 in x 4 in (26 cm x 10 cm)
shipping weight	16.6 lb (7.5 kg)

sentry-equip.com

966 Blue Ribbon Circle North, Oconomowoc, WI 53066 U.S.A. | +1-262-567-7256 | sales@sentry-equip.com

© 2016 Sentry Equipment Corp. All rights reserved. All product and company names are property of their respective owners. It is solely the responsibility of end users, through their own testing and analysis, to select products and materials suitable for their specific application requirements, ensure they are properly installed, safely applied and properly maintained, and to limit their use to their intended purpose. Improper selection, installation or use may result in personal injury or property damage.

S-LS-SPS-00198-8 5-16



COMPANY WITH
QUALITY SYSTEM
CERTIFIED BY DNV GL
= ISO 9001 =