



Gas



Liquid & Slurry



Solid & Powder



Steam & Water

# SENTRY ISOLOK SAL-B Point Samplers

## AUTOMATIC SAMPLING

The Sentry® ISOLOK® SAL-B automatic point sampler collects representative liquid and slurry samples from continuously pressurized process lines of up to 300 psi (20.7 bar). Each cycle collects a fixed volume of liquid or slurry.

### MODELS

ISOLOK SAL-B

### BENEFITS

The unique design of the Sentry ISOLOK SAL-B sampler integrates an ISOVALVE® ball valve into the sampler body. When off-line inspection or maintenance is needed, the ISOVALVE® can be closed and the entire sampler removed while the process line remains in pressurized service.

An optional park position cylinder is available to allow the sample plunger to dwell flush with the nose end of the sampler. This feature prevents any accumulation of process solids in the open end of the sample valve.

Sentry ISOLOK® samplers have a reputation for reliable service under tough job conditions. They can handle oil sand slurry sampling on a continuous basis, as well as sand and gravel slurry tailings lines. The separate closure plate caps the valve when the sampler is off-line and seals the process line connection if the entire system is removed. For safety, telltale ports on the isolation valve allow verification that pressure has been relieved before the sampler is detached.

ISOLOK SAL-B samplers bolt-mount onto machined pads welded to process pipes. Flange mounting also is available, along with a full line of sampler controllers and accessories.

### FEATURES

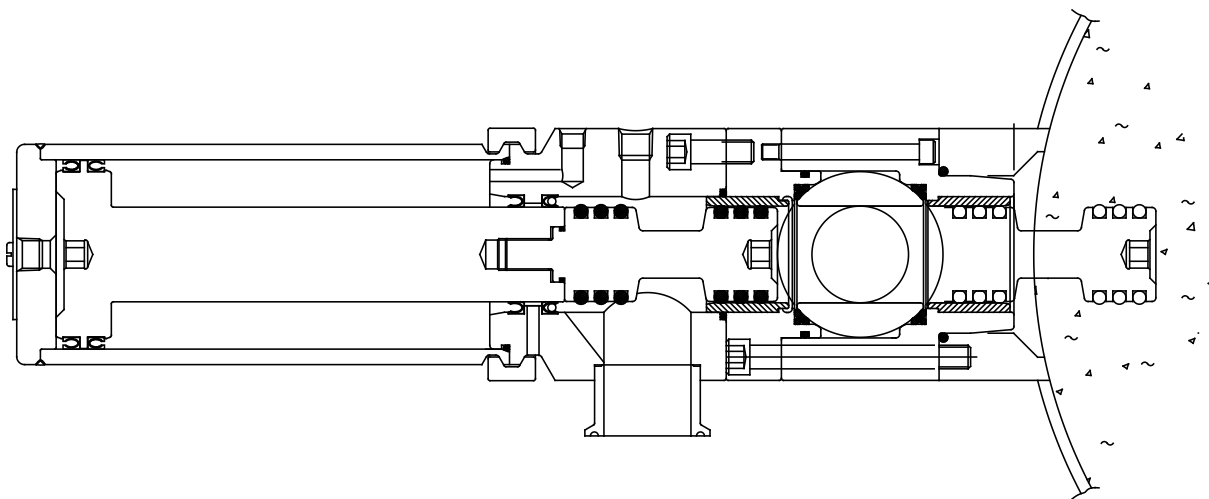
- Two different models for sampling fixed volumes of 8 cc or 25 cc per sample cycle
- Can sample particles up to 3/8 inches (9 mm)
- Handles line pressures of up to 300 psi (20.7 bar)
- Patented ISOVALVE® technology enables sampler to be removed while process line remains in service
- Metal parts are 316 stainless steel; tough, hardened 17-4PH is used for the isolation ball; construction options of other metal alloys and wear-resistant nickel tungsten carbide bushings
- Options include port closures, different container types, sampler enclosures (with or without heater), sample heating or refrigeration, and optional materials of construction and seal choices
- ATEX-compliant models available



Manufactured under one or more U. S. patents: 6,792,818; 6,164,145; 5,905,213  
Canadian patent: 2,418,263



Sample. Monitor. Measure.  
**SENTRY**  
Any Application. Anywhere.



### SPECIFICATIONS

sample volume per cycle	8 or 25 cc
maximum cycle frequency	10 strokes per minute for non-park position samplers; 6 strokes per minute for park position samplers, depending on application
maximum particle size	3/8 in. (9 mm.)
line mounting options	bolted hub
materials	316 and 17-4PH stainless steel
actuator and static seals	Filled PTFE and fluoroelastomer
plunger seals	polyurethane, EPDM, Kalrez®, PTFE, NBR or custom
compressed air requirement	2 SCFM at 90 psi (.05 m <sup>3</sup> /minimum at 6.2 bar)
operating pressure recommended range	300 psig (20.7 bar) process at 80 psig (5.5 barg) air
dimensions	15.875 in. l x 6 in. d (40 cm. x 15.25 cm.) for non-park samplers 20.813 in. l x 6 in. d (52.8 cm. x 15.25 cm.) for park samplers
shipping weight	33 lbs. (15 kg.) for non-park samplers; 45 lbs. (20 kg.) for park samplers

Kalrez is a registered trademark of E. I. Du Pont de Nemours and Company.

[sentry-equip.com](http://sentry-equip.com)

966 Blue Ribbon Circle North, Oconomowoc, WI 53066 U.S.A. | +1-262-567-7256 | [sales@sentry-equip.com](mailto:sales@sentry-equip.com)

© 2016 Sentry Equipment Corp. All rights reserved. All product and company names are property of their respective owners. It is solely the responsibility of end users, through their own testing and analysis, to select products and materials suitable for their specific application requirements, ensure they are properly installed, safely applied and properly maintained, and to limit their use to their intended purpose. Improper selection, installation or use may result in personal injury or property damage.

S-LS-SPS-00203-10 3-16



COMPANY WITH  
QUALITY SYSTEM  
CERTIFIED BY DNV GL  
= ISO 9001 =