

# SENTRY ISOLOK SAL-DBB SAMPLER

## Point Samplers

### AUTOMATIC SAMPLING

The Sentry® ISOLOK® SAL-DBB automatic point sampler collects representative liquid and slurry samples in harsh operating conditions, such as oil sand mining. Safety, reliability, convenience and ease of service are all designed into this sampler, which features patented double block and bleed technology.

#### MODELS

ISOLOK SAL-DBB

#### BENEFITS

The ISOLOK SAL-DBB sampler offers the best in operator protection, with the ability to be fully isolated from the process prior to the removal of any bolts. To isolate, a single movement of a quarter-turn valve is all that is required. The sampler is designed with a large bleed port to alleviate plugging and for added operator protection.

The ISOLOK SAL-DBB sampler features a 300# ANSI type design for high pressure requirements. This sampler adapts to existing ISOLOK SAL-B line adapters, making it easy to install into existing sample points. Plunger life is increased due to short actuation length and dwell times.

Less wear on seals means less maintenance. When maintenance is required, the removed assembly is lightweight and compact. No special tools are needed, and the sampler bolts are easily accessible for installation or removal. Plunger seal replacement easily can be done in the field without disassembling the entire sampler.

#### FEATURES

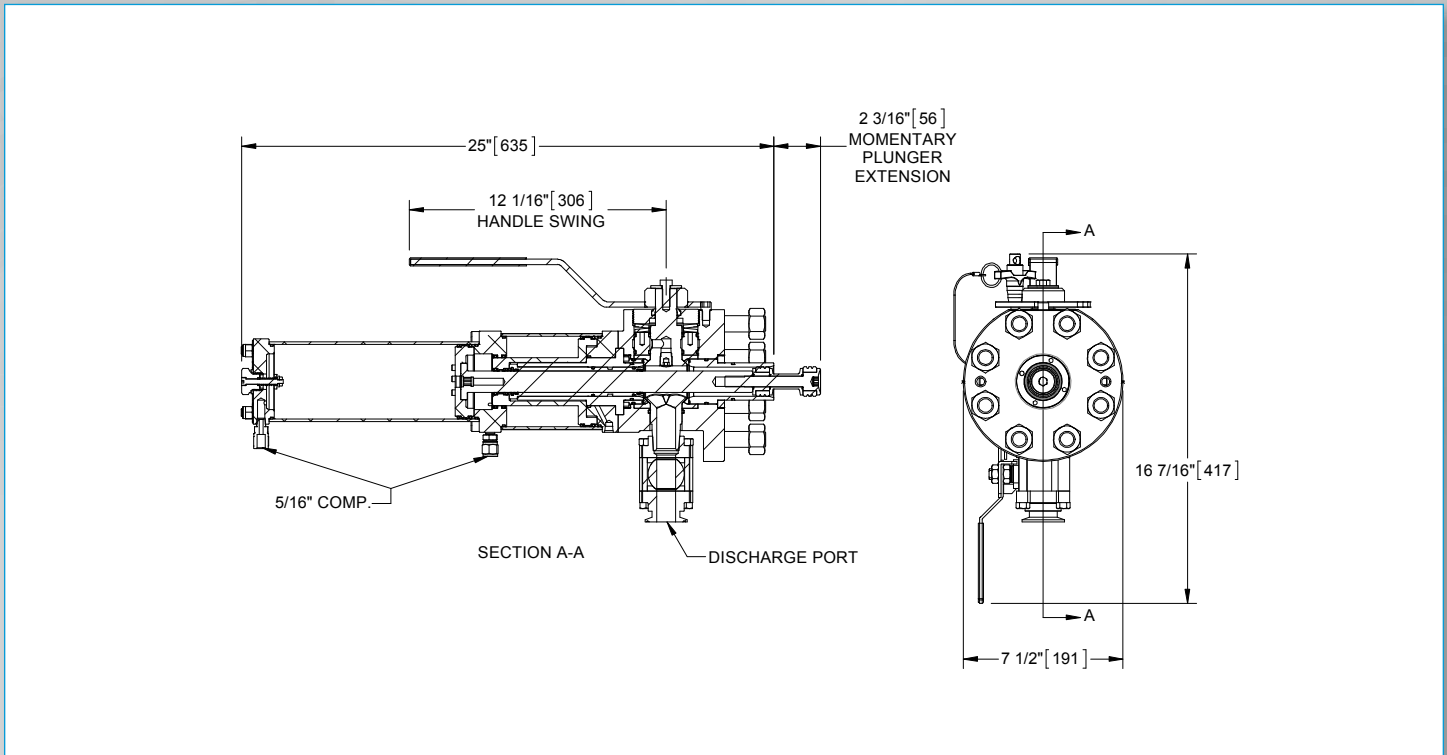
- Double block and bleed sampling valve for operator safety
- Totally encapsulated trunnion ball design
- Mounting via an integrated 300# ANSI type flange
- Simple single movement quarter-turn isolation valve
- Lightweight – weight of removed assembly is approximately 18 lb (8 kg)
- Easy to maintain and service in the field – plunger extends to provide access to seals
- Disassembly of cylinder assembly is not required to change plunger seals
- Patented "park position" feature
- Options include port closures, different container types, sampler enclosures (with or without heater), sample heating or refrigeration, and optional materials of construction and seal choices



Manufactured under one or more U. S. patents: 7,481,124; 5,905,213; 6,164,145; 6,792,818  
Canadian patent: 2,418,263



Sample. Monitor. Measure.  
**SENTRY**  
Any Application. Anywhere.



**SPECIFICATIONS**

<b>sample volume per cycle</b>	8, 10 or 25 cc
<b>maximum cycle frequency</b>	6 strokes per minute, depending on application
<b>maximum particle size</b>	9 mm (0.375 in)
<b>line mounting options</b>	300# ANSI type flange; line adapters available in stainless steel; hard facing option available
<b>materials</b>	316 stainless steel, 17-4 PH, nickel tungsten carbide
<b>actuator and static seals</b>	FKM, modified PTFE and filled PTFE
<b>plunger seals</b>	polyurethane or custom
<b>CRN pressure and temperature rating</b>	1050 psig at 100°F (72.4 bar at 38°C) 720 psig at 450°F (49.7 bar at 232°C) maximum
<b>compressed air requirement</b>	60 psig (4.0 bar) minimum 80 psig (5.5 bar) recommended 100 psig (6.9 bar) maximum
<b>operating pressure</b>	300 psig (20.7 bar) process at 60 psig (4.0 bar) air minimum 400 psig (27.5 bar) process at 80 psig (5.5 bar) air recommended 500 psig (34.4 bar) process at 100 psig (6.9 bar) air maximum
<b>dimensions</b>	25 in x 7 in x 7.5 in (635 mm x 178 mm x 191 mm)
<b>shipping weight</b>	removable (cylinder) portion: 18 lb (8 kg) valve: 46 lb (21 kg)
<b>Canadian Registration Numbers (Alberta only)</b>	sampler: 0H10367.2 line adapter: 0H08209.2 adapter assembly for existing Sentry ISOLOK SAL-B sampler line adapters: 0H08210.2

[sentry-equip.com](http://sentry-equip.com)

966 Blue Ribbon Circle North, Oconomowoc, WI 53066 U.S.A. | +1-262-567-7256 | [sales@sentry-equip.com](mailto:sales@sentry-equip.com)



© 2016 Sentry Equipment Corp. All rights reserved. All product and company names are property of their respective owners. It is solely the responsibility of end users, through their own testing and analysis, to select products and materials suitable for their specific application requirements, ensure they are properly installed, safely applied and properly maintained, and to limit their use to their intended purpose. Improper selection, installation or use may result in personal injury or property damage.

S-LS-SPS-00204-8 5-16

COMPANY WITH  
QUALITY SYSTEM  
CERTIFIED BY DNV GL  
= ISO 9001 =