



Gas



Liquid & Slurry



Solid & Powder



Steam & Water

SENTRY ISOLOK SAL-Q Point Samplers

AUTOMATIC SAMPLING

The Sentry® ISOLOK® SAL-Q automatic point sampler is a heavy-duty, isolatable sampler using ISOLOK proven technology and suitable for oil sands and other mining applications.

MODELS

ISOLOK SAL-Q

BENEFITS

The Sentry ISOLOK SAL-Q sampler employs the industry-proven Delta double block and bleed, ANSI-rated knife gate valve to isolate the sampler from the process line when the sampler needs servicing.

The sampler actuator is manually inserted into and through the knife gate valve by simply turning a hand wheel, and it then is bolted onto the gate valve.

The sampler is operated by standard plant compressed air and controlled by either the plant DCS/PLC or a Sentry time-based sampler controller to suit the application.

The ISOLOK SAL-Q sampler is easy to maintain, as the plunger extends to provide access to wrench flats and seals. It also features internal wear sleeve and process seals that are easily replaceable in the field.

FEATURES

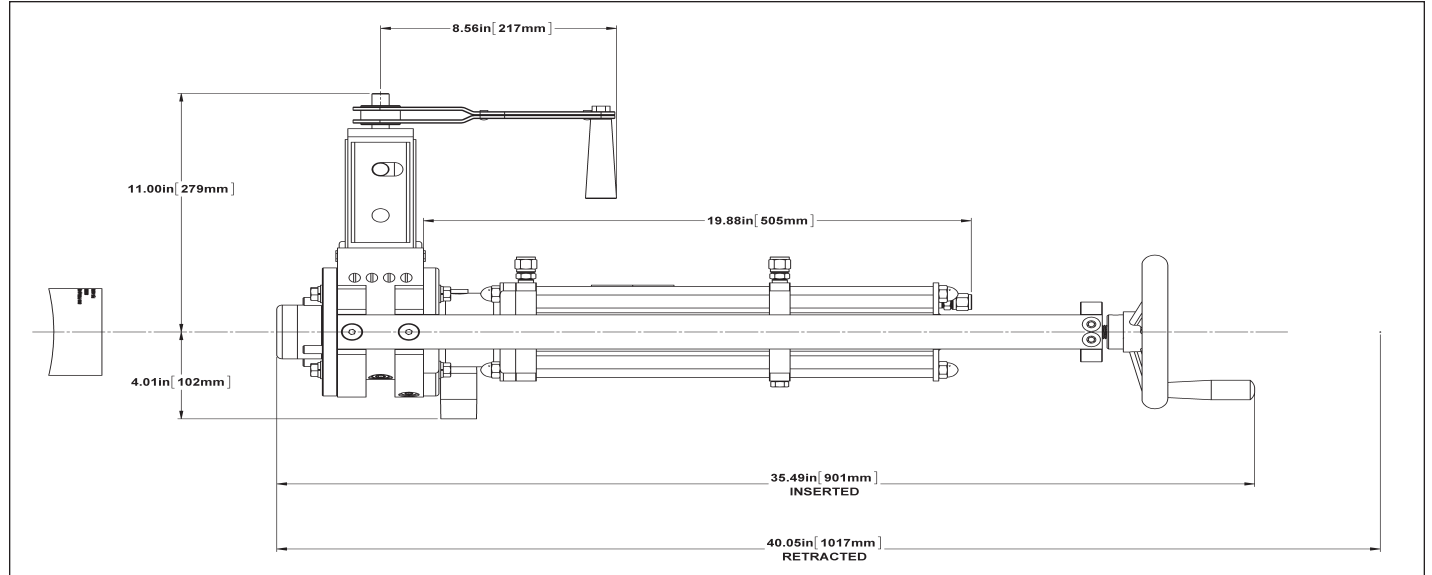
- Industry accepted and approved Delta double block and bleed, ANSI-rated knife gate valve (300#), used widely throughout the oil sands and other mining applications
- Class IV shutoff enables sampler removal while process remains in service
- Easy to maintain – plunger extends to provide access to wrench flats and seals
- Easily field replaceable internal wear sleeve and process seals
- Canadian Registration Number provided on all components
- Options include port closures, different container types, sampler enclosures (with or without heater), sample heating or refrigeration, optional materials of construction and seal choices, mounting adaptor to retrofit onto existing Sentry ISOLOK SAB and SAL-B sampler ports



Sample. Monitor. Measure.

SENTRY

Any Application. Anywhere.



SPECIFICATIONS

sample volume per cycle	10 or 25 cc
maximum cycle frequency	6 strokes per minute, depending on application
maximum particle size	5 mm (0.2 in.)
line mounting options	line adapters available in stainless steel; hard facing option available
materials	316, 431 and 17-4 PH stainless steel
actuator and static seals	FKM, PTFE and NBR
plunger seals	XNBR, EPDM, HNBR or durethane
CRN pressure and temperature rating	720 psi @ 100°F (49.6 bar @ 38°C) 500 psi @ 450°F (34.4 bar @ 232°C) maximum
minimum compressed air requirement recommended range	60 psig (4.0 bar) 80-100 psig (5.5-6.9 bar)
operating pressure recommended range	300 psig (20.7 bar) process at 60 psig (4.0 bar) air 400 psig (27.5 bar) process at 80-100 psig (5.5-6.9 bar) air
dimensions	35.5 in. l x 11 in. h x 5.63 in. w (90 cm. x 28 cm. x 14.3 cm.)
shipping weight	removable (actuator) portion: 52 lb. (24 kg.) valve: 29 lbs. (13 kg.)
Canadian Registration Numbers (Alberta only)	sampler: 0C12012.2 line adapter: 0A6872.2 gate valve: 0C04023.2

sentry-equip.com

966 Blue Ribbon Circle North, Oconomowoc, WI 53066 U.S.A. | +1-262-567-7256 | sales@sentry-equip.com

© 2016 Sentry Equipment Corp. All rights reserved. All product and company names are property of their respective owners. It is solely the responsibility of end users, through their own testing and analysis, to select products and materials suitable for their specific application requirements, ensure they are properly installed, safely applied and properly maintained, and to limit their use to their intended purpose. Improper selection, installation or use may result in personal injury or property damage.

S-LS-SPS-00190-4 3-16



COMPANY WITH
QUALITY SYSTEM
CERTIFIED BY DNV GL
= ISO 9001 =