



Gas



Liquid & Slurry



Solid & Powder



Steam & Water

# SENTRY R SAMPLER

## Point Samplers

### AUTOMATIC SAMPLING

The Sentry® R automatic point sampler automates sampling of free-flowing materials such as granules, powders, flakes or pellets from positive or negative pressure systems. A point sampler captures samples from a point in a process stream and often is used when the material is homogenous.

To obtain a sample, the Sentry R sampler's air cylinder moves a sample probe and auger into the process stream. After the sample has been captured through the aperture and the sample tube retracts, the auger conveys the sample to the discharge point. The sample material is discharged through a flexible hose to a collection point. Sample volume can be changed at the sampler controller.

### MODELS

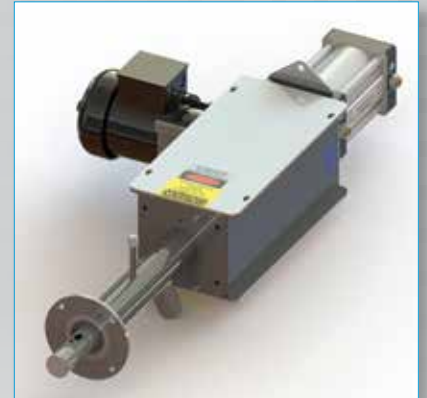
R

### BENEFITS

With representative sampling, characteristics of each sample match that of the entire lot or batch—so samples are repeatable, leading to accurate sample analysis data. Automatic sampling ensures a sample can be easily and safely obtained with no need for direct human interface or interference. This ensures sample integrity as well as operator safety.

### FEATURES

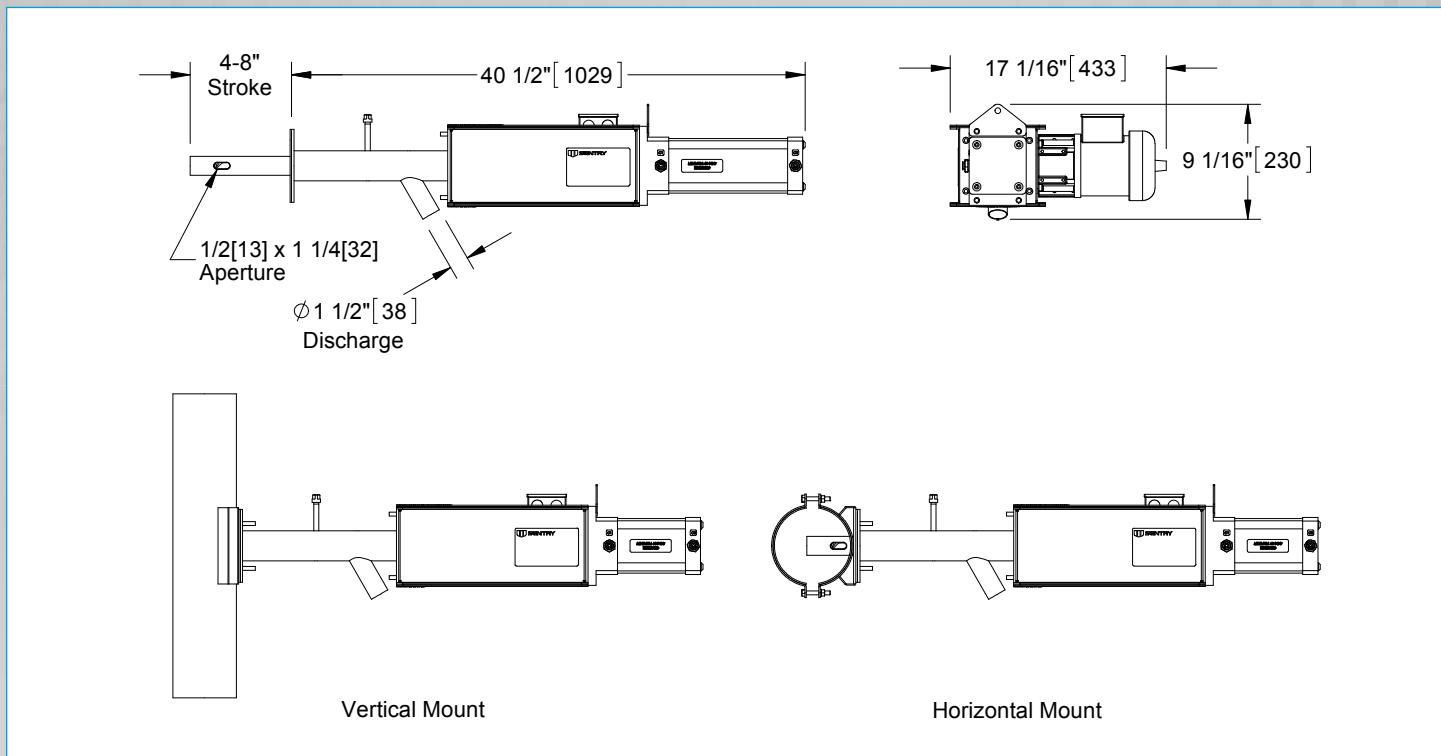
- Customized to meet various application needs
- Close tolerance between the auger and tube assures self-cleaning to help prevent cross-contamination
- Tube retracts from the line to avoid any restriction in the product flow
- Wetted components are 300 series stainless steel
- UHMW or PTFE seals
- White nitrile seals or gaskets
- Stroke lengths of 4, 6 and 8 inches (102, 152 and 203 mm)
- CE and ATEX compliant models available
- Includes air filter, regulator and gauge where applicable
- Optional release coating to ensure a non-stick surface
- QPQ hardening of contact surfaces available to protect against wear and abrasion
- Explosion proof (XP) motor available
- Custom mounting adapters for round, square or other shaped chutes or pipes
- Sample tube purge optional
- Pre-plumbed filter/regulator and solenoid valve available
- Optional purge ring for tube exterior



Sample. Monitor. Measure.

# SENTRY

Any Application. Anywhere.



SPECIFICATIONS	
materials	300 series stainless steel, UHMW-PE, PTFE, white nitrile, aluminum cylinder
particle size	10 µm to 1/4 in (6 mm)
motor	1/6 HP gearmotor, 90 rpm, 115/230V, 1 ph, 60 Hz; 110/220 V, 1 ph, 50 Hz TEFC
electrical requirements	115/230 V, 1 ph, 60 Hz or 110/220 V, 1 ph, 50 Hz
temperature rating	-10 to 175°F (-23 to 79°C)
air requirements	air pressure of 60 to 80 psi (4.1 to 5.5 bar) recommended; air usage 81 in <sup>3</sup> (1327 cc) per inch of stroke
suggested connection to sample discharge	rigid metal or flexible tubing to a collection container or indexing cabinet
recommended sampler location	positive or negative, horizontal or vertical pneumatic conveying systems, gravity spouts
quantity of sample	determined by flow rate; max. volume per stroke 24 cc
collection containers	PET jar, 304 stainless steel jar, bag
pressure rating	up to 30 psi (2.1 bar) standard; up to 100 psi (6.9 bar) with special seal arrangement
shipping weight	approx. 65 lb (29 kg)

[sentry-equip.com](http://sentry-equip.com)

966 Blue Ribbon Circle North, Oconomowoc, WI 53066 U.S.A. | +1-262-567-7256 | [sales@sentry-equip.com](mailto:sales@sentry-equip.com)

© 2016 Sentry Equipment Corp. All rights reserved. All product and company names are property of their respective owners. It is solely the responsibility of end users, through their own testing and analysis, to select products and materials suitable for their specific application requirements, ensure they are properly installed, safely applied and properly maintained, and to limit their use to their intended purpose. Improper selection, installation or use may result in personal injury or property damage.

S-SP-SPS-00172-6 6-16



COMPANY WITH  
QUALITY SYSTEM  
CERTIFIED BY DNV GL  
= ISO 9001 =